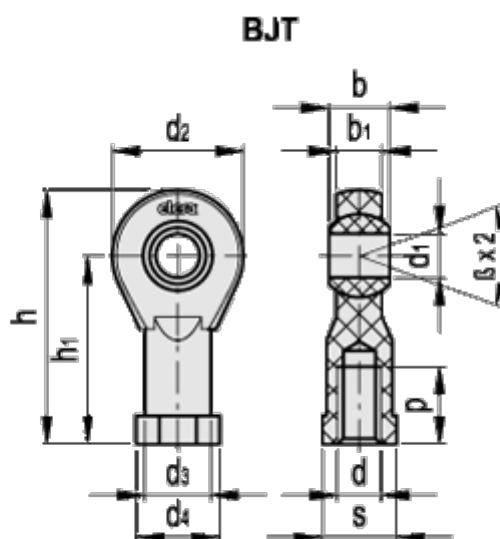


Article number: 2308470022

Description: Technopolymer rod end BJT-M10x1,25, female thread  
ELESA 470022

## Measures



b = 14.0

d = M10x1,25

d1 = 10.00

d2 = 30

d3 = 19

d4 = 19

h = 58

h1 = 43

P = 20

s = 17